

**STI International Inc.**  
*Firearms at the HIGHEST Level*



STI  
APPEIRO

**www.STIguns.com**  
(512) 819-0656

**CATALOG**

## COMPANY STATEMENT

STI International Inc- located in Georgetown, Texas- is a world renowned manufacturer of 1911 and 2011 style pistols. With over 20 years experience delivering the highest quality in pistols, parts, and components, STI International offers a wide variety of models of pistols in multiple calibers, currently available through dealers and distributors in the US, Canada, Europe, Asia, and South America.

## SHIPPING

Pick-Up Service Monday-Friday by appointment only.  
All pistols are shipped UPS 2 Day (unless otherwise noted)  
All firearms and frames must be shipped to a current F.F.L. Holder.  
Firearms are not shipped on Fridays.

## PAYMENT

Acceptable payment for items and services include: Check, Mastercard, Visa, and American Express.  
STI does not charge credit cards until product is shipped, unless otherwise informed.  
Wire transfers are also accepted, please contact STI for additional information.  
Open accounts are also available for established businesses.

## ORDERING

STI International has a \$250.00 minimum order.  
For orders under \$250.00, please visit our web site: [www.stiguns.com](http://www.stiguns.com) for a complete list of distributors and dealers.

## WARRANTY STATEMENT

STI International, Inc. manufactures all of its own components except pins, springs, and scopes. The suppliers of these purchased parts are reputable manufacturers with whom we have long term business relationships. We are, therefore, supremely confident in the fit, form, and function of every firearm and firearm part that we ship to our loyal customer base. With that in mind, we unconditionally warranty our products for their intended purpose, when properly installed. Abuse and normal wear are excluded.  
Call STI for a Return Authorization (RA#) for return of any item to STI. The RA number must be marked on the outside of the box.  
Packages will **NOT** be accepted without an RA number.

**STI International, Inc.**  
**114 Halmar Cove**  
**Georgetown, TX**  
**78628**

**PH: 512-819-0656**  
**FAX: 512-819-0465**  
**[www.STIguns.com](http://www.STIguns.com)**

\*SPECIFICATIONS AND TERMS SUBJECT TO CHANGE WITHOUT NOTICE

*All items Copyright © 1998-2010 STI International, Inc.  
STI, STI International, and the STI Swirl are registered trademarks of STI International, Inc.  
Catalog V.10.3*



## TABLE OF CONTENTS

GP5 (4.25")	2
GP6 (4.25")	3
GP6-C (4.25")	4
TEXICAN (5.5")	5
SPORTING RIFLE	6
10-22 RIFLE	7

### **2011s**

TOTAL ECLIPSE (3.0")	8
VIP (3.9")	9
FB7 (4.15")	10
MATCHMASTER (4.15")	11
STEELMASTER (4.15")	12
TACTICAL 4.15 (4.15")	13
APEIRO (5.0")	14
EAGLE (5.0")	15
EDGE (5.0")	16
EXECUTIVE (5.0")	17
IPSC (5.0")	18
LEGEND (5.0")	19
TACTICAL 5.0 (5.0")	20
USPSA (DOUBLE STACK) (5.0")	21
GM (5.5")	22
TRUBOR (5.5")	23
PERFECT 10 (6.0")	24

### **1911s**

ELEKTRA (3.0")	25
ESCORT (3.0")	26
OFF DUTY (3.0")	27
SHADOW (3.0")	28
LS (3.4")	29
GI (5.0")	30
GUARDIAN (3.9")	31
RANGER II (4.15")	32
RANGER III (4.15")	33
DUTY ONE (5.0")	34
LAWMAN (5.0")	35
RANGEMASTER (5.0")	36
SENTINEL PREMIER (5.0")	37
SENTRY (5.0")	38
SPARTAN (5.0")	39
TROJAN (5.0")	40
USPSA (SINGLE STACK) (5.0")	41
TARGETMASTER (6.0")	42

### **PARTS**

FRAME KITS	43
SLIDES & S.F.F.s	44
BARRELS	45
MAGAZINES & COMPONENTS	46
GRIPS & TRIGGERS	47
SIGHTS & SCOPES	48
RECOIL MASTERS & RECOIL SPRINGS	49
PARTS	50
PARTS	51
RIFLE PARTS	52
APPAREL	IBC



Caliber:	9x19
Frame:	30RC, Chrome Moly Steel
Grip:	Textured Polymer with Integral Tactical Rail
Slide:	3.7" 4340 hardened steel, Tri- Top w/ Front & Rear Cocking Serrations
Trigger:	DA/SA
Barrel:	3.7"
Safeties:	Ambidextrous Thumb Safeties, One Piece
Guide Rod:	Windage adjustable w/ key
Sights:	7.25"
O.A. Length:	24.2 oz
Weight:	Slide w/ tenifer surface treatment, Black Lower
Finish:	Ambidextrous mag release, Ambidextrous slide stop, Internal extractor
Features:	

**Options Available:**

·None

**Pistol Includes:**

·Two Magazines

**Competition Approvals:**

·Pending



the  
GP6



Caliber:	9x19
Frame:	30RC, Chrome Moly Steel
Grip:	Textured Polymer with Integral Tactical Rail
Slide:	4.25" Tri- Top With Front and Rear Cocking Serrations
Trigger:	DA/SA
Barrel:	4.25"
Safeties:	Ambidextrous Thumb Safeties,
Guide Rod:	One Piece
Sights:	Windage adjustable w/ key
O.A. Length:	7.97"
Weight:	26.1 oz
Finish:	Blued
Features:	Ambidextrous mag release, Ambidextrous slide stop, Internal extractor

**Options Available:**

·None

**Pistol Includes:**

·Two Magazines

**Competition Approvals:**

- IPSC
- USPSA
- IDPA





Caliber:	9x19
Frame:	30RC, Chrome Moly Steel
Grip:	Textured Polymer with Integral Tactical Rail
Slide:	4.25" Tri- Top With Front and Rear Cocking Serrations
Trigger:	DA/SA
Barrel:	4.25"
Safeties:	Ambidextrous Thumb Safeties,
Guide Rod:	One Piece
Sights:	Fiber Optic Front/Adjustable Rear
O.A. Length:	7.97"
Weight:	26.1 oz
Finish:	Blued
Features:	Extended Ambidextrous Magazine Release, Ambidextrous Slide Stop, Internal Extractor

**Options Available:**

·None

**Pistol Includes:**

·Two Magazines

**Competition Approvals:**

- IPSC
- USPSA
- IDPA



the  
**TEXICAN**

**COMPETITION READY-NO TUNING REQUIRED**

Caliber:	.45 L.C. (Long Colt)
Action:	Single Action
Capacity:	6 Rounds
Grip:	Hard Rubber with STI Logo
Barrel:	5 1/2", 1:16 Twist
Barrel Bore:	.451"
Chamber to Bore Alignment:	.0015" or Less
Firing Pin:	Floating Firing Pin (no transfer bar)
Sights:	Front Fixed, Rear Fixed
O.A. Length:	11"
Weight:	36.0 oz.
Finish:	Blued Finish with Color Case Hardened Frame and Hammer
Competition Approvals:	S.A.S.S. (Single Action Shooting Society)

**Options Available:**

·None



# the SPORTING RIFLE



Caliber:	5.56mm NATO, .223 <i>(NOTE: the 2.23 meets US Export Regulations)</i>
Trigger:	JP Trigger Group
Barrel:	16" 410 stainless steel, 1:8 twist, 1/2" x 28 thread (compensator)
Compensator:	Nordic Components Tactical Compensator
Gas Block:	Custom STI Valkyrie Gas Block
Handguard:	Custom STI Valkyrie Hand Guard
Sights:	N/A
Overall Length:	36"
Weight:	Competition: 6 lbs 10 oz Tactical: 6 lbs 7.8 oz
Finish:	Black Teflon Coating over hard anodize
Competition Approvals:	USPSA

## Options Available:

### Buttstock

- A2 (Fixed)
- Carbine (Collapsible)

### Forearm

- STI Valkyrie (Short)
- STI Valkyrie (Long)
- STI Quadrail (Short)
- STI Quadrail (Long)

### Gas block

- Competition (Bald)
- Tactical (Rail)

### Comp

- Tactical
- Corvette
- Shark





Caliber:	.22 Long Rifle
Trigger:	Force Single Stage Trigger
Barrel:	16" Tactical Solutions fluted aluminum, steel lined bull// 20" Lothar Walther stainless steel bull barrel
Sights:	Integrated Picatinny Rail
Overall Length:	34.75" (Aluminum) 38.25" (Stainless)
Weight:	4.63 lbs (Aluminum) 7.05 lbs (Stainless)
Finish:	Black Anodize (Aluminum) Clear Anodize (Stainless)
Stock:	Boyd's Stainless Steel Evolution Ambidextrous Pepper Laminate

**Options Available:**

·None



the  
**TOTAL ECLIPSE**

Caliber:	9x19, 40 S&W, .45 ACP
Frame:	STI Patented Modular Aluminum, Aluminum Mainspring Housing
Grip:	Black Glass Filled Nylon Polymer
Slide:	3.0" Classic with Rear Cocking Serrations & Integral Sight Channel
Trigger:	STI Long Curved Trigger
Barrel:	STI Bull Barrel, 3.0" Ramped, Fully Supported
Safeties:	STI High-Ride Beavertail Grip Safety Single Thumb Safety
Guide Rod:	STI 3.0 Recoil Master
Sights:	Fixed Tritium (2 dot) Sights, Lowered and Inset Into Slide
Length:	7.0"
Weight:	23.1 oz
Finish:	Black KG Coated

**Options Available:**

- Ambi Thumb Safeties



Caliber:	9x19, 40 S&W, .45 ACP
Frame:	STI Patented Modular Steel or Aluminum, Aluminum Mainspring Housing
Grip:	Black Glass Filled Nylon Polymer
Slide:	3.9" Classic with STI Rear Cocking Serrations
Trigger:	STI Long Curved Trigger
Barrel:	STI Bull Barrel, 3.9" Ramped, Fully Supported
Safeties:	STI High-Ride Beavertail Grip Safety
Guide Rod:	STI Single Sided Thumb Safety
Sights:	STI Recoil Master
Length:	STI Ramped Front, STI Fixed Rear 6.75"
Weight:	
Finish:	Steel Frame: 29.7 oz Aluminum Frame: 26 oz Blued Matte Finish (Steel) Polished Sides of Slide (Stainless)

#### Options Available:

- Hard Chrome (Steel Version only)
- Ambi Thumb Safeties
- Aluminum Frame (Includes Stainless Steel Slide)
- Fixed Tritium Sights (2 Dot)
- T.A.S. (Tactical Adjustable Sights)





the  
**FB7**

Caliber:	7mm, 9x19
Frame:	STI Patented Modular Steel (Long Wide)
Grip:	Black Glass Filled Nylon Polymer
Slide:	4.15" Unique Round Top With Front & Rear Cocking Serrations
Trigger:	STI Long Curved
Barrel:	STI Bull Barrel, Ramped, Fully supported, Fixed
Safeties:	STI High-Ride Beavertail Grip Safety Ambidextrous Thumb Safeties (Stainless)
Guide Rod:	STI One Piece Steel
Sights:	STI Ramped Front Heine Low Mount Rear
Length:	7.65"
Weight:	30 oz
Finish:	Blued

**Options Available:**

·Single Sided Thumb  
Safety



the  
**MATCH MASTER**

Caliber:	9x19, .38 Super
Frame:	STI Patented Modular Steel
Grip:	Black Glass Filled Nylon Polymer, with Aluminum Magwell, Drilled & Tapped Magazine Release
Slide:	4.15" Classic, Sabertooth Cocking Serrations, Lightened Front & Rear
Trigger:	STI Long Curved Trigger
Barrel:	STI Trubore Barrel, 4.15" Ramped, 2 Port (9x19) or 3 Port (.38Super), Fully Supported
Safeties:	STI High-Ride Beavertail Grip Safety Ambidextrous Thumb Safeties (Stainless)
Guide Rod:	STI Recoil Master (Light)
Sights:	C-More Red Dot Scope with Blast Shield and Thumb Rest
Length:	9.5"
Weight:	38.9 oz
Finish:	Blued with Sides of Slide Polished

**Options Available:**

- "Click Adjustable" Red Dot C-More Scope
- Single Sided Thumb Safety

**Special Features:**

- Slide Lightening Holes
- Blended Magwell



# the STEEL MASTER

Caliber:	9x19
Frame:	STI Patented Modular Steel
Grip:	Black Glass Filled Nylon Polymer, with Aluminum Magwell, Drilled & Tapped Magazine Release
Slide:	4.15" Classic, Sabertooth Cocking Serrations, Lightened Front & Rear
Trigger:	STI Long Curved Trigger
Barrel:	STI Trubore Barrel, 4.15" Ramped, 2 Port, Fully Supported
Safeties:	STI High-Ride Beavertail Grip Safety Ambidextrous Thumb Safeties (Stainless)
Guide Rod:	STI 5.0" Recoil Master (Light)
Sights:	C-More Red Dot Scope with Blast Shield and Thumb Rest
Length:	9.5"
Weight:	38.9 oz
Finish:	Blued with Sides of Slide Polished

**Options Available:**

- "Click Adjustable"
- C-More Red Dot Scope
- Single Sided Thumb Safety

**Special Features:**

- Slide Lightening Holes
- Thumb Rest
- Blended Magwell





the  
**TACTICAL 4.15**



*\*SHOWN W/ OPTIONAL D&T MAGCATCH & ALUMINUM MAGWELL*

Caliber:	9x19, .40 S&W, .45 ACP
Frame:	STI Patented Modular Steel with Integral Tactical rail
Grip:	Black Glass Filled Nylon Polymer
Slide:	4.15" Unique Flat Top, STI Rear Cocking Serrations
Trigger:	STI Long Curved Trigger
Barrel:	STI Bull Barrel, 4.15" Ramped, Fully Supported
Safeties:	STI High-Ride Beavertail Grip Safety Ambidextrous Thumb Safeties (Blue)
Guide Rod:	STI Recoil Master
Sights:	STI Ramped Front STI Fixed Rear
Length:	7.65"
Weight:	33.9 oz
Finish:	Blued Matte Finish

**OPTIONS AVAILABLE:**

- HARD CHROME
- T.A.S. (TACTICAL ADJUSTABLE SIGHT)
- FIXED TRITIUM SIGHTS (2 DOT)
- DRILLED & TAPPED MAG RELEASE
- D & T MAG RELEASE WITH OVERSIZED BUTTON
- SINGLE SIDED THUMB SAFETY
- ALUMINUM MAGWELL



the  
**APEIRO**

Caliber:	9x19, .40 S&W, .45 ACP
Frame:	STI Patented Modular Steel (long wide)
Grip:	Black Glass Filled Nylon Polymer with Stainless Magwell
Slide:	5" Unique, Sabertooth Cocking Serrations
Trigger:	STI Long Curved Trigger
Barrel:	Schuemann 'Island' Style Barrel, Ramped, Fully Supported
Safeties:	STI High-Ride Grip Safety Ambidextrous Thumb Safeties (Stainless)
Guide Rod:	STI Recoil Master
Sights:	Dawson Fiber Optic Front STI Adjustable Rear
Length:	8.6"
Weight:	38 oz
Finish:	Stainless Slide with Sides Polished, Frame Blued

**Options Available:**

·None

**Special Features:**

·Blended Magwell



the  
**EAGLE**

Caliber:	9x19, .38Super, .40 S&W, .45 ACP, .357Sig
Frame:	STI Patented Modular Steel
Grip:	Black Glass Filled Nylon Polymer
Slide:	5" Classic Round Top, STI Front and Rear Cocking Serrations
Trigger:	STI Long Curved
Barrel:	STI Bushing Barrel, 5" ramped, Fully Supported
Safeties:	STI High-Ride Beavertail Grip Safety Ambidextrous Thumb Safeties (Stainless)
Guide Rod:	STI One Piece Steel
Sights:	STI Competition Front STI Adjustable Rear
Length:	8.6"
Weight:	33.5 oz
Finish:	Blued with Sides of Slide Polished

**Options Available:**

- Available In 6" (limited options on 6")
- Hard Chrome
- Color Inlay
- Custom Serial Number
- Long Frame to Match 5" or 6" Slide
- Short or Gunsmith Trigger
- Colored Grip w/ Matching Trigger
- Unique, Tri-top or Flat Top
- Dawson Fiber Optic Front Sight
- STI Fixed Rear Sight
- Adjustable Tritium 3 Dot (Bomar cut)
- Fixed Tritium Sights (2Dot)
- Drilled and Tapped Mag Release
- D&T MAG Release & Over sized Button
- Stainless Steel Or Alum. Magwell
- Bushing Barrel
- Recoilmaster
- Single Sided Thumb Safety



**STI's #1 BEST SELLER OVER 10 YEARS IN A ROW**

Caliber:	9x19, .38Super, .40 S&W, .45 ACP	<b>Options Available:</b>
Frame:	STI Patented Modular Steel (Long Wide)	
Grip:	Black Glass Filled Nylon Polymer with Aluminum Magwell	
Slide:	5" Unique Round Top With STI Front and Rear Cocking Serrations	
Trigger:	STI Long Curved	
Barrel:	STI Bull Barrel, Ramped, Fully Supported	
Safeties:	STI High-Ride Beavertail Grip Safety Ambidextrous Thumb Safeties (Stainless)	
Guide Rod:	STI Recoil Master	
Sights:	STI Competition Front STI Adjustable Rear	
O.A. Length:	8.5"	
Weight:	38.1 oz	
Finish:	Blued with Sides of Slide Polished	
		<ul style="list-style-type: none"> <li>·Hard Chrome</li> <li>·Color Inlay</li> <li>·Custom Serial Number</li> <li>·Dawson Fiber Optic Front Sight</li> <li>·3 Dot Tritium Adjustable Sights</li> <li>·Colored Grip With Matching Trigger</li> <li>·Drilled &amp; Tapped Mag Release</li> <li>·D &amp; T Mag Release With Oversized Button</li> <li>·Stainless Magwell</li> <li>·Single Sided Thumb Safety</li> </ul>



the  
**EXECUTIVE**

Caliber:	.40 S&W
Frame:	STI Patented Modular Steel (long wide)
Grip:	Gray Glass Filled Nylon Polymer with Stainless Steel Magwell
Slide:	5" Unique Round Top with STI Front and Rear Cocking Serrations
Trigger:	STI Long Curved Trigger (Gray)
Barrel:	STI Bull Barrel, Ramped, Fully Supported
Safeties:	STI High-Ride Beavertail Grip Safety Ambidextrous Thumb Safeties
Guide Rod:	STI Recoil Master
Sights:	Dawson Fiber Optic (.100) Front STI Adjustable Rear
Length:	8.6"
Weight:	39.5 oz
Finish:	Hard Chrome with Sides of Slide Polished And Color Inlay (Black)

**Options Available:**

- Drilled & Tapped Mag Release
- D & T Mag Release w/ Oversized Button





the  
**IPSC**

Caliber:	9x19, .38Super, .40 S&W, .45 ACP
Frame:	STI Patented Modular Steel (long wide)
Grip:	Black Glass Filled Nylon Polymer with Stainless Magwell
Slide:	5" Unique Tri-Top with 30 LPI, Sabertooth Cocking Serrations
Trigger:	STI Long Curved Trigger
Barrel:	STI Bull Barrel, Ramped, Fully Supported
Safeties:	STI High-Ride Grip Safety Ambidextrous Thumb Safeties (Hard Chromed)
Guide Rod:	STI Recoil Master
Sights:	Dawson Fiber Optic Front STI Adjustable Rear
Length:	8.6"
Weight:	38 oz
Finish:	Slide Hard Chromed w/ Black Inlay, Frame Blued

**Options Available:**  
 -Single Sided Thumb Safety

**Special Features:**  
 -Blended Magwell



the  
**LEGEND**

Caliber: 9x19, .40 S&W, .45 ACP  
 Frame: STI Patented Modular Steel (long wide)  
 Grip: Black Glass Filled Nylon Polymer with  
 Stainless Magwell  
 Slide: 5" Unique Tri-Top with 30 LPI, Sabertooth  
 Cocking Serrations  
 Trigger: STI Long Curved Trigger  
 Barrel: STI Bull Barrel, Ramped, Fully Supported  
 STI High-Ride Grip Safety  
 Safeties: Ambidextrous Thumb Safeties  
 (Hard Chromed)  
 Guide Rod: STI Recoil Master  
 Sights: Dawson Fiber Optic Front  
 STI Adjustable Rear  
 Length: 8.6"  
 Weight: 38 oz  
 Finish: Slide Hard Chromed w/ Black Inlay,  
 Frame Blued

**Options Available:**

·Single Sided Thumb  
Safety

**Special Features:**

·Blended Magwell



the  
**TACTICAL 5.0**

*\*SHOWN W/ OPTIONAL ALUMINUM MAGWELL*

Caliber:	9x19, .40 S&W, .45 ACP
Frame:	STI Patented Modular Steel with Integral Tactical rail
Grip:	Black Glass Filled Nylon Polymer
Slide:	5" Classic Flat Top, STI Front and Rear Cocking Serrations
Trigger:	STI Long Curved Trigger
Barrel:	STI Bull Barrel, 5" Ramped, Fully Supported
Safeties:	STI High-Ride Beavertail Grip Safety Ambidextrous Thumb Safeties (Blued)
Guide Rod:	STI Recoil Master
Sights:	STI Ramped Front STI Fixed Rear
Length:	8.5"
Weight:	37.5 oz
Finish:	Blued Matte Finish

**Options Available:**

- Hard Chrome
- Dawson Fiber Optic Front Sight
- T.A.S. (Tactical Adjustable Sight)
- Fixed Tritium Sights (2 Dot)
- Drilled & Tapped Mag Release
- D & T Mag Release w/ Oversized Button
- Single Sided Thumb Safety
- Aluminum Magwell



the  
**USPSA**  
 (Double Stack)

Caliber:	9x19, .38Super, .40 S&W, .45 ACP
Frame:	STI Patented Modular Steel (Long Wide)
Grip:	Black Glass Filled Nylon Polymer with Stainless Steel Magwell
Slide:	5" Stainless Steel Unique Tri-Top with Sabertooth Cocking Serrations
Trigger:	STI Long Curved Trigger
Barrel:	STI Bull Barrel, Ramped, Fully Supported
Safeties:	STI High-Ride Beavertail Grip Safety Ambidextrous Thumb Safeties (Stainless)
Guide Rod:	STI Recoil Master
Sights:	Dawson Fiber Optic Front STI Adjustable Rear
Length:	8.6"
Weight:	38.7 oz
Finish:	2 Toned Stainless Steel Slide, Blued with Sides of Slide Polished, Frame Blued

**Options Available:**

·Single Sided Thumb Safety

**Special Features:**

·Blended Magwell



Caliber:	.9x19, .38 Super
Frame:	STI Patented Modular Steel
Grip:	Blue Glass Filled Nylon Polymer with Stainless Steel Magwell and Drilled and Tapped Mag Release
Slide:	5" Classic Flat Top with Slide Lightening, Sabertooth Cocking Serrations
Trigger:	STI Gunsmith Blank Trigger
Barrel:	STI Trubor Bull Barrel, Ramped, Fully Supported w/ Integral Compensator
Safeties:	STI High-Ride Beavertail Grip Safety Ambidextrous Thumb Safeties
Guide Rod:	STI Recoil Master
Sights:	C-More Scope (gray)
Length:	10.5"
Weight:	44.6 oz
Finish:	Hard Chrome w/ Color Inlay (blue)

**Options Available:**

- Short or Long Trigger
- Colored Grip w/ Matching Trigger, Inlay, & Mag Base Pad
- Colored C-More scope
- Oversized Mag Button
- "Click Adjustable" C-More Red Dot Scope
- Single Sided T/S

**Pistol Includes:**

- One STI Team Shirt
- One STI Cap
- Test Target

**Special Features:**

- Blended Magwell

**NOTE:**  
*Unless otherwise requested:  
 9x19 has the T1 Comp.  
 .38S has the T2 Comp.*





# the TRUBOR



Caliber:	9x19, .38 Super
Frame:	STI Patented Modular Steel
Grip:	Black Glass Filled Nylon Polymer With Aluminum Magwell
Slide:	5" Classic With Slide Lightening, STI Front and Rear Cocking Serrations
Trigger:	STI Long Curved Trigger
Barrel:	STI Trubor Barrel, Ramped, Fully Supported w/ Integral Compensator
Safeties:	STI High-Ride Beavertail Grip Safety Ambidextrous Thumb Safeties (Stainless)
Guide Rod:	STI One Piece Steel
Sights:	C-More Scope (Black)
Length:	10.5"
Weight:	41.3 oz
Finish:	Blued with Sides of Slide Polished

### Options Available:

- Hard Chrome
- Color Inlay
- Colored Grip with Matching Trigger
- C-More Click Scope
- Color C-More Scope
- Drilled & Tapped Mag Release
- D&T Mag Release with Oversized Button
- Stainless Magwell
- Recoilmaster
- Single Sided Thumb Safety

### NOTE:

*Unless otherwise requested:  
9x19 has the T1 Comp.  
.38S has the T2 Comp.*



Caliber:	10mm
Frame:	STI Patented Modular Steel with Integral Tactical rail
Grip:	Black Glass Filled Nylon Polymer with Aluminum Magwell
Slide:	6" Classic Round Top, STI Front & Rear Cocking Serrations
Trigger:	STI Long Curved Trigger
Barrel:	STI Bull Barrel, 6" Ramped, Fully Supported
Safeties:	STI High-Ride Beavertail Grip Safety Ambidextrous Thumb Safeties (Blued)
Guide Rod:	STI Two Piece Steel
Sights:	STI Competition Front STI Adjustable Rear
Length:	9.5"
Weight:	41.5 oz
Finish:	Blued with Sides of Slide Polished

**Options Available:**  
 -Single Sided Thumb Safety

**Special Features:**  
 -Blended Magwell



the  
**ELEKTRA**

**Options Available:**

- Black or Pink Version
- Ambi Thumb Safeties
- Long Curve Trigger

Caliber:	9x19, .45 ACP
Frame:	1911 Forged Aluminum Officer Length Frame, Undercut Trigger Guard, Stippled Front Strap
Grip:	"Pearl" style, Standard Thickness
Slide:	3.0" Stainless, Round Top, Rear Sabertooth Cocking Serrations, & Integral Sight Channel
Trigger:	STI Short Curved Trigger
Barrel:	STI Bull Barrel, 3.0" Ramped, Fully Supported
Safeties:	STI High-Ride Beavertail GripSafety Single Sided Thumb Safety
Guide Rod:	STI Recoil Master
Sights:	Fixed Tritium (2 dot) Sights, Lowered and Inset Into Slide
Length:	7"
Weight:	22.8 oz
Finish:	KG Coated, w/ Sides of Slide Polished



the  
**ESCORT**

Caliber:	9x19, .40 S&W, .45 ACP
Frame:	1911 Forged Aluminum Officer Length Frame, Undercut Trigger Guard, Stippled Front Strap
Grip:	Checked Cocobola Grip Panels
Slide:	3.0" Round Top With Rear Cocking Serrations
Trigger:	STI Long Curved Trigger
Barrel:	STI Bull Barrel, 3.0" Ramped, Fully Supported
Safeties:	STI High-Ride Beavertail Grip Safety, Single Sided Thumb Safety
Guide Rod:	STI Recoil Master
Sights:	STI Competition Front 3 Dot (White) Tactical Adjustable Sight (T.A.S.)
Length:	7"
Weight:	22.8 oz
Finish:	KG Coated Frame, Blued Slide

**Options Available:**  
 ·Ambi Thumb Safeties



the  
**OFF DUTY**

Caliber: 9x19, .45 ACP  
 Frame: STI 1911 Officer Length Frame, Integral Light Rail, STI Stippled Front Strap  
 Grip: Checkered Cocobola Grip Panels  
 Slide: 3.0 Steel with Rear Cocking Serrations  
 Trigger: STI Long Curved Trigger  
 Barrel: 3.0" Fully Supported, Ramped  
 Safeties: STI High-Ride Beavertail Grip Safety Single Sided Thumb Safety (Blued)  
 Guide Rod: STI Recoil Master  
 Sights: STI Competition Front 3 Dot (White) Tactical Adjustable Sight (T.A.S.)  
 Length: 7.0"  
 Weight: 31.3 oz  
 Finish: Blued Matte Finish

**Options Available:**

- Fixed Tritium Sight (2 Dot)
- Ambi Thumb Safeties





the  
**SHADOW**

Caliber:	9x19, 40 S&W, .45 ACP
Frame:	1911 Forged Aluminum Officer Length Frame, Undercut Trigger Guard, Stippled Front Strap
Grip:	Ultra Thin G-10 with STI Logo
Slide:	3.0" Round Top With Rear Cocking Serrations & Integral Sight Channel
Trigger:	STI Long Curved Trigger
Barrel:	STI Bull Barrel, 3.0" Ramped, Fully Supported
Safeties:	STI High-Ride Beavertail Grip Safety Single Sided Thumb Safety (Blued)
Guide Rod:	STI Recoil Master
Sights:	Fixed Tritium (2 dot) Sights, Lowered and Inset Into Slide
Length:	7.0"
Weight:	23.4 oz
Finish:	Matte Black KG Coated

**Options Available:**

- Ambi Thumb Safeties



Caliber:	9x19
Frame:	STI 1911 Compact Frame, Stippled Front Strap
Grip:	Checkered Cocobola Grip Panels
Slide:	3.4" with STI "Bullet" Style Front & Rear Cocking Serrations
Trigger:	STI Long Curved Trigger
Barrel:	3.4" Fully Supported, Ramped w/ Linkless Lock Up
Safeties:	STI High-Ride Beavertail Grip Safety Single Sided Thumb Safety (Blued)
Guide Rod:	STI Recoil Master
Sights:	Slide Integral Front Heine Low Mount Rear
Length:	7.0"
Weight:	26.6 oz
Finish:	Blued Matte Finish

**Options Available:**

-Hard Chrome



the  
**G.I.**

**Options Available:**

Caliber:	.45 ACP
Frame:	1911 Government Steel Frame, Bald Front Strap
Grip:	Smooth Wood Grip Panels
Slide:	5.0" Classic, Rear Cocking Serrations
Trigger:	Traditional Steel Trigger
Barrel:	5" Non-Ramped Bushing Barrel
Safeties:	Traditional Beavertail Grip Safety Traditional Single Sided Thumb Safety
Guide Rod:	One Piece Original Length GI Guide Rod
Sights:	Traditional GI Steel Sights
Length:	8.5"
Weight:	35.3 oz
Finish:	Blued Matte Finish

None



the  
**GUARDIAN**

Caliber:	9x19, .45 ACP
Frame:	STI 1911 Officer Frame, STI Stippled Front Strap, Undercut Trigger Guard
Grip:	Checkered Cocobola Grip Panels
Slide:	3.9" Stainless Classic, Flat Top, w/ Rear STI Cocking Serrations
Trigger:	STI Long Curve Trigger
Barrel:	STI Bull Barrel, 3.9" Ramped, Fully Supported
Safeties:	STI High-Ride Beavertail Grip Safety Single Sided Thumb Safety (Blued)
Guide Rod:	STI Recoil Master
Sights:	3 Dot (White) T.A.S. (Tactical Adjustable Sight)
Length:	7.5"
Weight:	32.4 oz
Finish:	Stainless Slide With Polished Sides and Blued Frame

**Options Available:**  
-Ambi Thumb Safeties



the  
**RANGER II**

Caliber:	9x19, .40 S&W, .45 ACP
Frame:	STI 1911 Government Frame STI Stippled Front Strap, Undercut Trigger Guard
Grip:	Checked Cocobola Grip Panels (Thin) 4.15" Flat Top With STI Rear Cocking Serrations
Slide:	STI Long Curved Trigger
Trigger:	STI Bull Barrel, 4.15" Ramped, Fully Supported
Barrel:	STI High-Ride Beavertail Grip Safety
Safeties:	Single Sided Thumb Safety (Blued)
Guide Rod:	STI Recoil Master
Sights:	STI Ramped Front STI Fixed Rear
Length:	7.75"
Weight:	33 oz
Finish:	Blued Matte Finish

- Options Available:**
- Hard Chrome
  - Thick Grips
  - Fixed Tritium Sight (2 Dot)
  - Magwell With Steel Mainspring Housing
  - Ambi Thumb Safeties





the  
**RANGER III**

Caliber:	9x19, .40 S&W, .45 ACP
Frame:	STI 1911 Government Frame STI Stippled Front Strap, Undercut Trigger Guard
Grip:	Checkered Cocobola Grip Panels (Thin)
Slide:	4.15" Flat Top With STI Rear Cocking Serrations
Trigger:	STI Long Curved Trigger
Barrel:	STI Bull Barrel, 4.15" Ramped, Fully Supported
Safeties:	STI High-Ride Beavertail Grip Safety Single Sided Thumb Safety (Blued)
Guide Rod:	STI Recoil Master
Sights:	STI Ramped Front STI Fixed Rear
Length:	7.75"
Weight:	33 oz
Finish:	Blued Matte Finish

**Options Available:**

- Hard Chrome
- Thick Grips
- Fixed Tritium Sight (2 Dot)
- Magwell With Steel Mainspring Housing
- Ambi Thumb Safeties



the  
**DUTY ONE**

Caliber:	9x19, .40 S&W, .45 ACP
Frame:	STI 1911 Frame with Integral Tactical Rail, 30 LPI Front Strap Checkering, Undercut Trigger Guard
Grip:	STI G10 Grip Panels
Slide:	5.0" Flat Top With STI Front and Rear Cocking Serrations
Trigger:	STI Long Curved Trigger
Barrel:	STI Bull barrel, 5.0" Ramped, Fully Supported
Safeties:	STI High-Ride Beavertail Grip Safety Ambidextrous Thumb Safeties
Guide Rod:	STI Recoil Master
Sights:	STI Ramped Front STI Fixed Rear
Length:	8.5"
Weight:	37.2 oz
Finish:	Blued Matte Finish

- Options Available:**
- Fixed Tritium Sights (2Dot)
  - Single Sided Thumb Safety



the  
**LAWMAN**

Caliber:	.45 ACP
Frame:	STI 1911 Forged Frame with 30 LPI Front Strap Checkering (Steel)
Grip:	STI G10 Grip Panels
Slide:	5" Classic with Front And Rear Cocking Serrations
Trigger:	STI Long Curved Aluminum Trigger
Barrel:	STI Bushing Barrel, 5" Ramped, Fully Supported
Safeties:	STI High-Ride Beavertail Grip Safety Single Sided Thumb Safety
Guide Rod:	STI One Piece Steel
Sights:	STI Ramped Front T.A.S. Rear (Tactical Adjustable Sight)
Length:	8.5"
Weight:	37 oz
Finish:	Blued- Polished Sides Of Slide KG Coated 2 Tone- Brown/Tan KG Coated 2 Tone Black/O.D. Green

**Options Available:**

- Finish
- Ambi Thumb Safeties



the  
**RANGE MASTER**

Caliber:	9x19, .45 ACP
Frame:	STI 1911 Government Frame w/ Extended Dust Cover, 30 LPI Front Strap Checkering, Undercut Trigger Guard
Grip:	Checkered Cocobola Grip Panels (Std)
Slide:	5" Unique, Flat Top with STI Front and Rear Cocking Serrations
Trigger:	STI Long Curved Trigger
Barrel:	STI Bull Barrel, 5.0" Ramped, Fully Supported
Safeties:	STI High-Ride Beavertail Grip Safety Ambidextrous Thumb Safeties (Stainless)
Guide Rod:	STI Recoil Master
Sights:	STI Competition Front STI Adjustable Rear
Length:	8.5"
Weight:	43.2 oz
Finish:	Blued Matte Finish

- Options Available:**
- Hard Chrome
  - Dawson Fiber Optic Front Sight
  - Single Sided Thumb Safety



the  
**SENTINEL PREMIER**

*\*shown w/ optional hard chrome finish with black inlay*

Caliber:	.45 ACP
Frame:	STI 1911 Government Forged Steel Frame With Front Strap 30 LPI Checkering and Steel Magwell
Grip:	STI Checkered G10 Grip Panels
Slide:	5" Classic, Flat Top with Front and Rear Cocking Serrations
Trigger:	STI Long Curved Aluminum
Barrel:	STI 5" Bushing Barrel, Ramped, Fully Supported
Safeties:	STI High-Ride Beavertail Grip Safety Single Sided Thumb Safety (Blued)
Guide Rod:	STI Recoil Master
Sights:	STI Ramped Tritium Front & Dawson Precision/ STI "Perfect Impact" Tritium Rear
Length:	8.5"
Weight:	36.7 oz
Finish:	Blued With Sides of Slide Polished

**Options Available:**

- Hard Chrome (Shown above)
- Color Inlay (Shown above)
- Ambi Thumb Safeties
- Full Length Guide Rod

**Special Features:**

- Slide is flat topped with diamond LPI
- Barrel Crowned Flush w/ Bushing
- Blended Magwell





Caliber:	9x19, .40 S&W, .45 ACP
Frame:	1911 Government Forged Steel Frame, Checkered Front Strap with Steel MSH & Magwell
Grip:	Checkered Cocobola Grip Panels
Slide:	5.0" Classic, Flat Topped, with Front and Rear STI Cocking Serrations
Trigger:	STI Long Curved Trigger
Barrel:	STI Bushing Barrel, 5" Ramped, Fully Supported
Safeties:	STI High-Ride Beavertail Grip Safety Ambidextrous Thumb Safeties
Guide Rod:	STI Recoil Master
Sights:	STI Competition Front STI Adjustable Rear
Length:	8.5"
Weight:	35.3 oz
Finish:	Blued with Sides of Slide Polished

- Options Available:**
- Hard Chrome
  - Dawson Fiber Optic Front Sight
  - Single Sided Thumb Safety



the  
**SPARTAN**

**Options Available:**

Caliber:	9x19, .45 ACP
Frame:	1911 Government Steel Frame, Bald Front Strap
Grips:	Hand checkered double diamond Mahogany Grip Panels
Slide:	5.0" Classic, Front and Rear Cocking Serrations
Trigger:	STI Long Curved Trigger
Barrel:	5" Chromed Non-Ramped Bushing Barrel
Safeties:	STI High-Ride Beavertail Grip Safety Single Sided Thumb Safety
Guide Rod:	One Piece Full Length Steel
Sights:	Fiber Optic Front Adjustable Rear
Length:	8.5"
Weight:	35.3 oz
Finish:	Parkerized

None



## the TROJAN

Caliber:	9x19, .38 Super, .40 S&W, .45 ACP
Frame:	STI 1911 Government Frame, STI Stippled Front Strap, Undercut Trigger Guard
Grip:	Checked Red Cocobola Grip Panels (Thin)
Slide:	5" Classic, STI Front and Rear Cocking Serrations
Trigger:	STI Long Curved Trigger
Barrel:	STI Bushing Barrel, 5" Ramped, Fully Supported
Safeties:	STI High-Ride Beavertail Grip Safety Single Sided Thumb Safety (Blued)
Guide Rod:	STI One Piece Steel
Sights:	STI Competition Front, STI Adjustable Rear
Length:	8.5"
Weight:	36 oz
Finish:	Blued Matte Finish

### Options Available:

- 6" Slide & Barrel
- Hard Chrome
- Thick Grips
- Dawson Front Sight
- STI Fixed Rear Sight
- Adjustable Tritium 3 Dot Set (Bomar cut)
- Ambi Thumb Safeties
- Magwell With Steel Mainspring Housing
- Fixed Tritium Sight Set (2 Dot) (5" Only)
- Recoilmaster (5" Only)

### Note:

- 6" is only available in 9x19 & .45 ACP



the  
**USPSA**  
 (Single Stack)

Caliber:	9x19, .38Super, .40 S&W, .45 ACP
Frame:	STI 1911 Forged Frame, Front Strap 30 LPI Checkering, Undercut Trigger Guard, With Checkered Steel D&T Mainspring Housing and Magwell
Grip:	STI G10 Grip Panels
Slide:	5" Stainless Steel Classic Tri-Top with Sabertooth Cocking Serrations
Trigger:	STI Long Curved Trigger
Barrel:	STI Bushing Barrel, 5" Ramped, Fully Supported
Safeties:	STI High-Ride Beavertail Grip Safety Ambidexterous Thumb Safeties
Guide Rod:	STI Recoil Master
Sights:	STI Competition Front STI Adjustable Rear
Length:	8.5"
Weight:	38.3 oz
Finish:	2 Toned Stainless Slide, Blued with Sides Polished, Frame Blued

**Options Available:**

- Dawson Fiber Optic Front Sight
- Single Sided Thumb Safety



the  
**TARGET MASTER**

Caliber:	9x19, .45 ACP
Frame:	STI 1911 "Master" Frame With Front Strap 30 LPI Checkering, Square Undercut Trigger Guard, Steel Magwell
Grip:	Checked Cocobola Grip Panels (std)
Slide:	6" Flat Top With STI Front and Rear Cocking
Trigger:	Serrations
Barrel:	STI Long Curved Trigger
Safeties:	STI 6" Bull Barrel, Ramped, Fully Supported STI High-Ride Beavertail Grip Safety Ambidextrous Thumb Safeties
Guide Rod:	(Stainless)
Sights:	STI Two Piece
Length:	Aristocrat Front & Rear Sights
Weight:	9.5"
Finish:	44 oz Blued Matte Finish

- Options Available:**
- Hard Chrome
  - Single Sided Thumb Safety



# 1911 FRAME KITS

## 1911 Investment Cast Frame

### Material:

4140 steel, investment cast, heat treated to 28-32 rockwell.

### Features:

- \*Oversize rails for precise slide fits.
- \*Tang is cut .250" radius for beavertail grip safety.
- \*Undercut trigger guard
- \*Bare front strap
- \*Ramp cut (only) (STI, Wilson-Nowlin)

part number: **190-35012011-00**



## 1911 Master Series Frame

### Material:

4140 steel, investment cast, heat treated to 28-32 rockwell.

### Features:

- \*Oversize rails for precise slide fits.
- \*Tang is cut .250" radius for beavertail grip safety.
- \*Undercut trigger guard
- \*Square trigger guard
- \*30 LPI checkered front strap
- \*Ramp cut (only) (STI, Wilson-Nowlin)

part number: **190-50010211-00**



## 1911 Forged Frame

### Material:

4140 steel, forged, heat treated to 28-32 rockwell.

### Features:

- \*Oversize rails for precise slide fits.
- \*Tang is cut .250" radius for beavertail grip safety.
- \*Undercut trigger guard
- \*Bare front strap (only)
- \*Ramp cut (only) (STI, Wilson-Nowlin)

part number: **190-35010224-00**



# 2011 FRAME KITS

The patented STI 2011 Frame is manufactured from 4140 Maxxell Alloy steel, pre-cut for high ride beavertail grip safety and ambidextrous thumb safety configuration. The frame is CNC milled billet, creating a very accurate frame to build the highest quality pistols. The innovative frame design preserves the 17 degree angle of grip in relation to the slide, original to the 1911. The essential design element for high capacity, the 2011 grip, is made from glass filled nylon polymer and is checkered with 30 lpi in the complete front strap and 25 lpi on the trigger guard. Available in black, gray, blue, and red. To increase strength and durability, metal inserts are molded into the grip to allow metal to metal contact with the frame.

All frame kits include: frame, grip, magazine release, mainspring housing and trigger.



2011 Standard Frame

### 2011 Standard Frame Kit

part number:  
**190-35020211-00 (N/R)**    **190-35020221-00 (N/U)**  
**190-35020111-00 (W/R)**    **190-35020121-00 (W/U)**



2011 Tactical Frame

### 2011 Tactical Frame Kit

part number:  
**190-41530211-00**



2011 5.0" Frame

### 2011 5" Frame Kit

part number:  
**190-50020111-00 (W/R)**    **190-50020121-00 (W/U)**



2011 6.0" Frame

### 2011 6" Frame Kit



part number:  
**190-60020111-00 (W/R)**    **190-60020121-00 (W/U)**

## 2011 Frame Option List

Frame	Ramp Cut	4140 Steel	Custom Serial #	D&T For Scope	Wide Frame	Short/GS Trigger	Colored Grip
Standard	X	Std	X	X	X	X	X
5.0"	X	Std	X	X	Std	X	X
Tactical	Std	Std	N/A	N/A	N/A	X	N/A
6.0"	X	Std	X	X	Std	X	X

# SLIDES

STI International slides are CNC milled from pre-hardened barstock 4140 carbon steel to ensure slide rail exactness. The breech face is wire EDM cut for maximum precision angle. STI offers three slide lengths: 4.15"(Commander), 5"(Government), and 6"(Long Slide). The slides have lowered and flared ejection ports (largest in the industry) for reliable case ejection. STI offers a wide variety of options on our slides that can save time for the final assembly of a high quality pistol.

	<b>4.15" Classic Slide</b> * Shown with Round top, No sight cuts, No cocking serrations, STI logo
	<b>5.0" Classic Slide</b> * Shown with Flat top, Bomar rear sight cut, Dovetail front sight cut, Front and rear cocking serrations, No STI logo
	<b>5.0" Unique Slide</b> * Shown with Tri-Top, Novak rear sight cut, Dovetail front sight cut, Front & Rear cocking serrations, No STI logo
	<b>6.0" Classic Slide</b> * Shown w/ Round top, No sight cuts, No cocking serrations, No STI logo
	<b>6.0" Unique Slide</b> * Shown w/ Flat top, Bomar rear sight cut, Dovetail front sight cut, Rear cocking serrations, STI logo

## SLIDE OPTION LIST

\*For Frame Options, See Page 43

Slide	Rear Serrations	F&R Serrations	STI Logo	Front Sight Cut	Bomar Rear Cut	Novak Rear Cut	Slide Lightening	Flat Top Slide	Tri-Top Slide
4.15" Classic	X	N/A	X	X	X	X	X	X	X
5.0" Classic	X	X	X	X	X	X	X	X	X
5.0" Unique	X	X	X	X	X	X	X	X	X
6.0" Classic	X	X	X	X	X	X	X	X	X
6.0" Unique	X	X	X	X	X	X	X	X	X

## SLIDE TO FRAME FITS

The STI slide to frame fit is offered in both the 2011 and the 1911 style frames. Each frame is precisely hand fit to the slide. This offers a tight yet smooth fit, aiding in the basics of any high quality pistol.

### 2011 S.F.F.

Standard Frame/ 5" Frame/ Tactical Frame / 6" Frame



2011 Tactical S.F.F.



2011 6.0" S.F.F.

\*Shown with: Tactical frame, Tactical slide, F&R serrations, Front dovetail Sight Cut, Novak rear Sight Cut, Flat-top Slide, STI logo

\*Shown with: 6" Frame, 6" Unique slide, No serrations, No sight cuts, Round top slide, No STI logo

### 1911 S.F.F.

5" Forged (non ramp)/5" Cast (ramp cut)/6" Cast (ramp cut)  
5" Master Series (ramp cut)/ 6" Master Series (ramp cut)



1911 Master Series S.F.F.



1911 Cast S.F.F.

\*Shown with: Master Series Frame, 6" Classic Flat Top slide, Front & Rear serrations, Bomar rear sight cut, No STI logo

\*Shown with: 1911 Cast frame, 5" Classic slide, F&R serrations, Bomar rear sight cut, Front dovetail sight cut, Flat-top slide, STI logo

Also available from STI are 2011 Short Blocks.

Includes: Frame, Slide, Barrel, Recoil System and Slide Stop (installed).

Call your STI sales representative for details

# BARRELS

STI barrels are made from 416 rifle grade stainless steel billet forgings. The bore is gun drilled, button rifled, then air gauged to offer the most exacting size, and most consistent barrel available. The rifling is 1 in 16 twist and has 6 lands and grooves. The barrels are vacuum heat treated and vacuum tempered to 40Rc, then machined to exacting specifications. The barrels are short chambered to allow gunsmiths to cut the chamber to their application.

ITEM	PART NUMBER
<b>5" BULL</b>	
.355	200-50.351100-00
9X19	200-509191100-00
38Super	200-503801100-00
.400	200-50.401100-00
.40 S&W	200-504001100-00
.450	200-50.451100-00
.45 ACP	200-504501100-00
<b>6" BULL</b>	
.355	200-60.351100-00
9X19	200-609191100-00
38Super	200-603801100-00
.400	200-60.401100-00
.40 S&W	200-604001100-00
.450	200-60.451100-00
.45 ACP	200-604501100-00
<b>5" BUSHING</b>	
.355	200-50.352100-00
9X19	200-509192100-00
38Super	200-503802100-00
.40 S&W	200-504002100-00
.45 ACP	200-504502100-00
<b>6" BUSHING</b>	
9X19	200-609192100-00
38Super	200-603802100-00
.40 S&W	200-604002100-00
.45 ACP	200-604502100-00
<b>TRUBOR (T1)</b>	
.355	200-55.3551101-00
9X19	200-559191101-00
38Super	200-553801101-00
<b>TRUBOR (T2)</b>	
.355	200-55.3551102-00
9X19	200-559191102-00
38Super	200-553801102-00
<b>TRUBOR BLANK</b>	
.355	200-55.3801103-00

## BULL BARREL

Available calibers: .355, 9mm, .38 super, .400, .40 S&W, .450, .45 ACP



5" Bull Barrel



6" Bull Barrel

## BUSHING BARREL

Available calibers: .355, 9mm, .38 super, .400, .40 S&W, .450, .45 ACP

Includes: Barrel, Stainless Steel Bushing, Barrel Link & Pin



5" Bushing Barrel



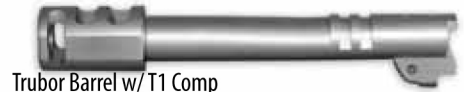
6" Bushing Barrel

## TRUBOR BARREL

T1 Available calibers: .355, 9mm, .38 super

T2 Available calibers: .355, 9mm, .38 super

Non port Trubor blank: .355, 9mm, .38 super



Trubor Barrel w/ T1 Comp



Trubor Barrel w/ T2 Comp

# MAGAZINES & COMPONENTS

The STI 2011 magazine is manufactured out of 410 stainless steel, producing a magazine with longer life, greater strength, and better corrosion resistance. STI 2011 magazines are built specifically for all STI 2011 style pistols and frames. In combination with the 2011 patented frame, the STI 2011 magazine allows for maximum round capacity, ranging from 10 to 26 rounds (depending on length and caliber).



Magazine 120 mm

**Capacity: 120mm**

9/.38 = 15 rounds  
 .40 cal = 12 rounds  
 .45 ACP = 10 rounds



Magazine 126 mm

**Capacity: 126mm**

9/.38 = 17 rounds  
 .40 cal = 14 rounds  
 .45 ACP = 12 rounds



Magazine 140 mm

**Capacity: 140mm**

9/.38 = 20 rnds  
 .40 cal = 17 rnds  
 .45 ACP = 14 rnds



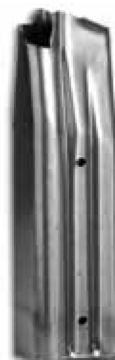
Magazine 170 mm

**Capacity: 170mm**

9/.38 = 26  
 .40 cal = 22



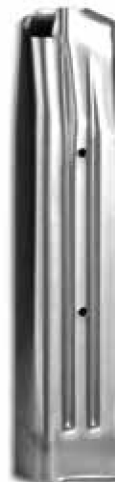
Mag Body 120 mm



Mag Body 126 mm



Mag Body 140 mm



Mag Body 170 mm

## Magazine Springs

120mm 10 rd.	9mm/.38
120mm 10 rd.	.40/.45
120mm std.	9mm/.38
120mm std	.40/.45
126mm 10 rd.	.38/.40
126mm 10 rd.	9mm
126mm std.	9mm/.38
140mm std.	9mm/.38
140mm std.	.40/.45
170mm std.	.38/.40



Mag Follower



Base Plate



Magazine Base Pads

# GRIPS & TRIGGERS

Replacement 2011 grips for the STI line of pistols and frames. The glass filled nylon polymer grip is the second component of the 2011 modular (high capacity) frame system. Available in 4 colors:



2011 Grip  
(Black)

Part #:  
600-0210100-00



2011 Grip  
(Blue)

Part #:  
600-0210200-00



2011 Grip  
(Gray)

Part #:  
600-0210300-00



2011 Grip  
(Red)

Part #:  
600-0210500-00

The STI Aluminum Grip is one piece & does not require any special fitting or parts



'S'



2011 Aluminum Grip  
600-0230000-00 (Regular)  
600-0230001-00 (S=Thin)



2011 Long Curved Triggers

(Red) Part #:  
585-021020505-00

(Blue) Part #:  
585-021020502-00

(Gray) Part #:  
585-021020503-00

(Black) Part #:  
585-021020501-00

For faster magazine reloads, the STI magwell is just the thing. These are a direct install to all STI 2011 pistols and frames (and yes, it DOES fit in the IPSC Box.)



2011 Aluminum Magwell

Part #:  
625-0230000-00



2011 Stainless Magwell

Part #:  
625-0220000-00



1911 Magwell (Slim) 1911 Magwell (Std)

Part #:  
625-0140000-00

Part #:  
625-0140001-00

*\*D&T MSH Sold Separately (See page 50)*

The STI trigger bow is wire EDM cut stainless steel, with a notch for trigger take up adjustment. The trigger bow is a glass filled nylon polymer to prevent inertial firing, with a set screw for overtravel adjustment.



2011 Short Curve

Part #:  
585-022020501-00



1911 Long Curve (Black)

Part #:  
585-011020501-00



2011 Gunsmith Blank

Part #:  
585-023020501-00



1911 Short Curve (Black)

Part #:  
585-012020501-00



1911 Aluminum (Long)

Part #:  
585-011020607-00



# SIGHTS & SCOPES

STI manufactures a wide variety of sights for pistols, ranging from carry to competition and PPC competition. Night sight sets are also available. STI uses Trijicon tritium inserts for the brightest, highest quality night sights available on the market. STI sights are designed to fit industry standard sight cuts.

## STI Adjustable



*Fits Bomar cut: 60° X .359*

Part #:  
225-02050004-00

## STI Adjustable Night Sight Set



*Fits Bomar cut: 60° X .359*

Part #:  
225-03050001-00 (3.9/4.15)  
225-03050002-00 (5/6)

## Aristocrat PPC Sight Set



*.500" Milled Cut On Slide*

Part #:  
225-03050004-00

## STI Fixed



*Fits Novak cut: 65° X .495*

Part #:  
225-02060005-00

## STI Fixed Night Sight Set



*Fits Novak cut: 65° X .495*

Part #:  
225-03060002-00 (3.9/4.15)  
225-03060003-00 (5/6)

## STI T.A.S. (Tactical Adjustable Sight)



*Fits Novak cut: 65° X .495*

Part #:  
225-02050007-00

## STI Competition Front Sight



*Fits Dovetail cut: .300 X 60°*

Part #:  
225-01020001-00

## STI Ramped Front Sight



*Fits Dovetail cut: .300 X 60°*

Part #:  
225-01010002-00 (3.9/4.15)  
225-01010001-00 (5/6)

## Dawson Fiber Optic (.100) Front Sight



*Fits Dovetail cut: .300 X 60°*

Part #:  
225-01030007-00

## C-More Scope (Non-Click Adjustment)



(Black) Part #: 250-01016011-00  
(Blue) Part #: 250-01016021-00  
(Red) Part #: 250-01016031-00  
(Gray) Part #: 250-01016051-00

## C-More Scope (Click Adjustment)



(Black) Part #: 250-01016012-00  
(Blue) Part #: 250-01016022-00  
(Red) Part #: 250-01016052-00  
(Gray) Part #: 250-01016032-00

## STI Scope Mount (C-More)



Part #:  
275-11101-00

# RECOIL MASTERS & SPRINGS

The STI Recoilmaster is designed to achieve softer recoil and bring the pistol back to point of aim quicker. Using two springs for recoil verses the traditional single spring provides at least 10 times the life of a conventional recoil system. The 5" Recoilmaster will fit all government model 1911 style pistols. The 4.15" and 3.9" are designed for STI pistols only.



***Suggested Recoil Masters***

Compensated Pistols	Light
5" 9mm	Light
5" .40 S&W	Heavy
5" .45 ACP	Heavy

***Suggested Recoil Springs***

5" 9mm guns	12 lbs
5" .40 S&W guns	14 lbs
5" .45 ACP guns	16 lbs
6" 9mm guns	10 lbs
6" .40 S&W guns	12 lbs
6" .45 ACP guns	14 lbs

<b>Recoil Spring (10 lbs)</b> Part #: <b>800-009-00</b>
<b>Recoil Spring (11 lbs)</b> Part #: <b>800-010-00</b>
<b>Recoil Spring (12 lbs)</b> Part #: <b>800-011-00</b>
<b>Recoil Spring (13 lbs)</b> Part #: <b>800-012-00</b>
<b>Recoil Spring (14 lbs)</b> Part #: <b>800-013-00</b>
<b>Recoil Spring (16 lbs)</b> Part #: <b>800-014-00</b>

<b>Recoil Master 3.9 Heavy (Bull)</b> Part #: <b>650-01390201-00</b>
<b>Recoil Master 3.9 Light (Bull)</b> Part #: <b>650-01390101-00</b>
<b>Recoil Master 3.9 Twin Pack (Bull)</b> Part #: <b>650-01390301-00</b>
<b>Recoil Master 4.15 Heavy (Bull)</b> Part #: <b>650-01410201-00</b>
<b>Recoil Master 4.15 Medium (Bull)</b> Part #: <b>650-01410401-00</b>
<b>Recoil Master 4.15 Twin Pack (Bull)</b> Part #: <b>650-01410301-00</b>
<b>Recoil Master 5.0 Heavy (Bushing)</b> Part #: <b>650-02500201-00</b>
<b>Recoil Master 5.0 Heavy (Bull)</b> Part #: <b>650-01500201-00</b>
<b>Recoil Master 5.0 Light (Bushing)</b> Part #: <b>650-02500101-00</b>
<b>Recoil Master 5.0 Light (Bull)</b> Part #: <b>650-01500101-00</b>
<b>Recoil Master 5.0 Twin Pack (Bushing)</b> Part #: <b>650-02500301-00</b>
<b>Recoil Master 5.0 Twin Pack (Bull)</b> Part #: <b>650-01500301-00</b>

# PARTS

STI hammers are wire EDM cut, then precision ground and polished from A-6 tool steel. STI sears are wire EDM cut using S-7 tool steel, producing the highest quality hammer and sear for crisp and lightweight trigger pulls. STI Hammers are available in three styles: Commander, Spur, and Sear

**Commander**

**Spur**

**Square**

**S-7 Sear**



Commander  
Part #:  
**530-0101-00**

Spur  
Part #:  
**530-0301-00**

Square  
Part #:  
**530-0201-00**

Sear  
Part #:  
**565-0100-00**

STI Hammer struts are wire EDM cut from titanium. This allows for very fast lock up and adds minimum weight to the entire trigger system, aiding in even crisper and lighter trigger weight.



Titanium Strut  
Part #:  
**580-01-00**

The STI ejector is manufactured out of 4140 steel. Available in the following specific calibers: .45 ACP, .40 S&W, .38 Super, & 9mm extended



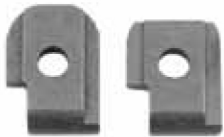
(.45) Part #:  
**510-0345000-00**  
(38/40) Part #:  
**510-0338400-00**  
(9mm Extended) Part #:  
**510-0391900-00**

The STI extractor is manufactured out of high quality spring steel. Available in: 9x19, .38 Super, .40 S&W, or .45 ACP



Extractor .45  
Part #: **10-0345001-00**  
Extractor 38/40  
Part #: **515-0338401-00**  
Extractor 9  
Part #: **515-0391900-00**

STI Firing pin stop in 4140 steel. Available standard or cut for Bomar sights.



Firing Pin Stop 9/38/40  
Part #: **520-38400-00**  
Firing Pin Stop 9/38/40 Bomar  
Part #: **520-38402-00**  
Firing Pin Stop .45  
Part #: **520-45000-00**  
Firing Pin Stop .45 Bomar  
Part #: **520-45002-00**

The STI slide stop is 4140 carbon steel heat treated to 38 - 42 Rockwell hardness, creating a very precise slide stop.



Slide Stop  
Part #: **570-00-00**

The STI Disconnecter is made out of FN 0205 steel; a perfect addition to the STI Hammer and Sear.



Disconnecter  
Part #: **500-01-00**

The STI Sear Spring is made of high quality spring steel. It is the classic 3 prong configuration and features a wider base than many models, for a more secure fit and more reliable function.



Sear Spring  
Part #: **580-01-00**

STI Mag Catches are 4140 carbon steel heat treated to 38 - 42 Rockwell hardness. Built for 1911 and 2011 pistols the STI Mag Catch holds up to any demand put by the shooter. Also available with oversized button for even quicker magazine ejection.

**2011  
Mag Catch**

**1911  
Mag Catch**

**D&T  
Mag Catch**

**Oversized  
Button**



Part #:  
**540-0201-00**

Part #:  
**540-0103-00**

Part #:  
**540-0202-00**

Part #:  
**535-0000-00**



STI Firing pins are available in stainless steel or titanium. Calibers: 9x19/.38/.40/.45

Stainless (9/.38/.40)  
Part #: **525-3840201-00**

Stainless (.45)  
Part #: **525-4500201-00**

Titanium (9/.38/.40)  
Part #: **525-3840401-00**

Titanium (.45)  
Part #: **525-4500401-00**

# PARTS

STI thumb safeties are designed for both 1911 and 2011 pistols. Offered in both ambidextrous and single sided models, the safeties have contoured & serrated pads that allow for the thumb to contact the safety in a natural position, providing a comfortable thumb placement for shooters.

Carbon steel is 4140  
Stainless steel is 17-4



Ambidextrous  
Stainless Steel

**Part #:**

**560-020100-00**



Ambidextrous  
Blued Steel

**Part #:**

**560-010100-00**



Single Sided  
Stainless Steel

**Part #:**

**560-020200-00**



Single Sided  
Stainless Steel

**Part #:**

**560-010200-00**

## **Pin Kits for the 2011:**

Hammer Pin, Hammer Strut Pin, Barrel Link Pin, Sear Pin, Slide Stop Plunger, Thumb Safety Plunger, Ejector Pin, Mainspring Cap, Mainspring Housing Pin, Mainspring Housing Retainer, Mainspring Cap Pin.

## **Pin Kits for the 1911:**

Hammer Pin, Hammer Strut Pin, Barrel Link Pin, Sear Pin, Slidestop Plunger, Thumb Safety Plunger, Ejector Pin, Mainspring Cap, Mainspring Housing Pin, Mainspring Housing Retainer, Mainspring Cap Pin

## **Springs for the 2011:**

Sear Spring, Mainspring (15 or 19 lb), Plunger Tube Spring, Firing Return Spring, Recoil Spring (Specify Weight 8-18 lbs), Recoilmaster Primary Spring (Specify Weight: Heavy or Light and Length: 4.15" or 5").

The STI 1911 magwell is manufactured out of 4140 steel. The Steel mainspring housing is checkered 30 LPI for a sure grip. The magwell aids in faster reloads and in grip control of the pistol. Available for both Thin and Standard width grips.



MSH & Magwell (Std)

**Part #:**

**625-0140003-00**

MSH & Magwell (Thin)

**Part #:**

**625-0140002-00**

STI Spring plugs and Reverse plugs are manufactured from 4140 steel.

Available for 5" & 6" pistols.



Spring Plug (6.0")

**Part #:**

**575-026001-00**



Reverse Plug (5.0")

**Part #:**

**575-015001-00**



Guide Rod 5.0" (Steel)

**One Piece**

**Part #: 650-03500401-00**



Guide Rod 6.0" (Steel)

**Two Piece**

**Part #: 650-03600401-00**

The STI high rise beavertail grip safety is designed for all 1911 and 2011 pistols. It is produced out of 4140 steel or 17-4 stainless steel. The safety arm is pre-notched, has a deeper strut groove, and pre-cut knuckle clearance, providing positive safety activation and comfortable high grip. The grip safety can be removed without the removal of the mainspring housing (an industry first).



Stainless Steel Grip Safety

**Part #: 555-700200-00**



Blued Steel Grip Safety

**Part #: 555-700100-00**

# RIFLE PARTS

STI's stripped lower receiver provides an outstanding starting point for custom AR-15 style builds. Available in both .223 remington and 5.56 NATO



**AR Lower Receiver**  
Part #: 000-000000-00

STI's matched upper and lower ensures the perfect framework for a custom AR style build. Available in both .223 remington and 5.56 NATO



**AR Upper/Lower Receiver (Matched)**  
Part #: 000-000000-00

The STI Valkyrie handguard is one piece precision machined from aluminum, hard anodized and Teflon coated. Available in two lengths: competition (long), and tactical (short).



**AR Valkyrie Fore End**  
Part #: 000-000000-00 (Long/Competition)  
Part #: 000-000000-00 (Short/Tactical)

Carefully machined to Mil-Specs, the STI A3 Upper Receiver offers superior performance with the strength and durability to serve as the foundation for a true custom built rifle.



**AR Upper Receiver w/ Forward Assist & Dust Cover**  
(Also Available Stripped)  
Part #: 000-000000-00  
Part #: 000-000000-00 (Stripped)

A simple, low profile design that can use a rifle length forearm on a carbine length barrel setup. It uses three allen head screws to clamp on to the barrel for an air tight seal.



**AR Unrailed Gas Block**  
Part #: 000-000000-00



**AR Railed Gas Block**  
Part #: 000-000000-00

The STI quad rail handguard is one piece precision machined from aluminum, hard anodized and Teflon coated. The helical vents are engineered to maximize air flow to prevent overheating and to reduce the overall weight. Available in two lengths: competition (long), and tactical (short).



**AR Quad Rail**  
Part #: 000-000000-00 (Long/Competition)  
Part #: 000-000000-00 (Short/Tactical)