



Firearms at
the highest level!

EXECUTIVE
.40 S&W

5.0" STI fully supported, ramped bull barrel
Guide Rod: STI RecoilMaster
Overall Length: 8-5/8"
Weight: 39.0 oz
IPSC, USPSA



EXECUTIVE



**SPECIAL
EDITION**

SPECIAL EDITION
9mm, .40 S&W, .45 ACP
5.0" STI fully supported ramped bull barrel
Guide Rod: STI RecoilMaster
Overall length: 8 5/8"
Weight: 39.0 oz.
Finish: 24 karat on all steel surfaces
Special engraving on slide

IPSC MODEL

9 mm, .40 S&W, .45 ACP
5.0" STI fully supported ramped bull barrel
Guide Rod: STI RecoilMaster
Overall length: 8-5/8"
Weight: 39.0 oz
Finish: Two-tone, hard chrome upper/blued lower
Tri-Topped with serrated top
Decorative frame cuts
Special engraving on slide for IPSC 30th Anniversary
IPSC licensed



I.P.S.C.
**30th ANNIVERSARY
COMMEMORATIVE PISTOL**

www.stiguns.com

sales@stiguns.com

512/819-0656

Fax 512/819-0465



EAGLE

EAGLE 5.0" (also available in 6.0")
 9 mm, 9x21, .38 Super, .40 S&W, 10 mm, .45 ACP
 5.0" STI fully supported, ramped bull or bushing barrel
 Guide Rod: STI one piece steel
 Overall Length: 8-5/8"
 5" Weight: 34.5 oz. In steel, 30.5 oz. In AL
 IPSC, USPSA, IDPA



V.I.P.

V.I.P.
 9 mm, 9x21, .38 Super, .40 S&W, .45 ACP
 3.9" STI fully supported, ramped bull barrel
 Guide Rod: STI 3.9" RecoilMaster
 Overall Length: 7.5"
 Weight: 25.0 oz.
 IPSC, USPSA, IDPA



TACTICAL 4.15

TACTICAL 4.15
 9 m.m., .40 S&W, .45 ACP
 Blue Steel (4140) frame and slide
 4.15" STI fully supported, ramped bull barrel
 Guide Rod: STI RecoilMaster
 Overall Length: 7.75"
 Weight: 34.5 oz (Tactical "Lite" 27.0 oz)
 IPSC, USPSA



TACTICAL

TACTICAL
 9 m.m., .40 S&W, .45 ACP
 Blue Steel (4140) frame and slide
 5.0" STI fully supported, ramped bull barrel
 Guide Rod: STI RecoilMaster
 Overall Length: 8.5"
 Weight: 39.0 oz (Tactical "Lite" 31.0 oz)
 IPSC, USPSA



TRUBOR

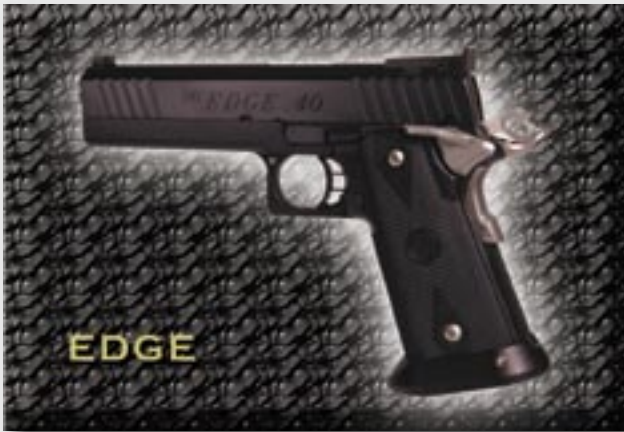
TRUBOR
 9 mm "Major", 9x23, and .38 Super
 5.1" STI fully supported, ramped ONE PIECE bull barrel,
 w/ integrated comp. (No threads)
 Guide Rod: STI one piece steel Overall Length: 10.6"-
 Weight: 42.5 oz. (including scope and mount) IPSC, USPSA



GRANDMASTER

GRANDMASTER
 9 mm "Major", 9x23, .38 Super, .40 S&W, .45 ACP
 5.5" STI fully supported, TruBor barrel and compensator
 Guide Rod: STI RecoilMaster Overall Length: About 10.6"
 Weight: About 42.0 oz. IPSC, USPSA





EDGE

EDGE

9 mm, .40 S&W, .45ACP
5.0" STI fully supported, ramped bull barrel
Guide Rod: STI RecoilMaster
Overall Length: 8-5/8"
Weight: 39.0 oz.
IPSC, USPSA



LAWMAN

LAWMAN

1911 Gov't size, Hammer forged 4340 carbon steel
.45 ACP
Guide Rod: 5" full length steel
Overall Length: 8.65"
Weight: 36.0 oz.
IPSC, USPSA, IDPA



TROJAN 5"

TROJAN 5" (also available in 6")

9 m.m., .38 Super, .40 S&W, .45 ACP
5.0" STI fully supported, ramped bushing barrel
Guide Rod: STI one piece steel
Overall Length: 8.5"
Weight: 36.0 oz.
IPSC, USPSA, IDPA



RANGER II

RANGER II

.45 ACP
4.15" ramped bull barrel
Guide Rod: STI 4.15" RecoilMaster
Length: 7.75"
Weight: 30.0 oz.
IPSC, USPSA



STINGER

STINGER

9 mm "Major", .38 Super
3.9" 4140 Steel
Guide Rod: RecoilMaster
Overall Length: 9.0"
Weight: 38.0 oz.
IPSC, USPSA



DUTY ONE

DUTY ONE

9 mm, .40 S&W, 45 ACP; 5.0" STI fully supported, ramped bull barrel
Guide Rod: STI RecoilMaster
Overall Length: 8.5" Weight: 38.0 oz.

WARRANTY

We unconditionally warranty our firearms and parts for their intended purpose. As with any product, ignorance, abuse, and normal wear are excepted.





RANGEMASTER

RANGEMASTER
9 mm / .45 ACP
5.0" STI fully supported, ramped bull barrel
Guide Rod: STI RecoilMaster
Overall Length: 8.5"
Weight: 38.0 oz.



TARGETMASTER

TARGETMASTER
9 mm / .45 ACP
6.0" STI fully supported, ramped bull barrel
Guide Rod: STI two piece steel guide rod
Overall Length: 9.5"
Weight: 40.0 oz.
PPC



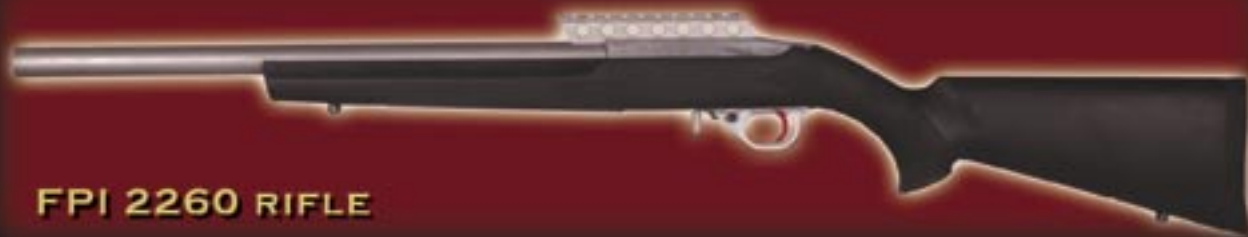
LS9 & LS40

LS9 & LS40
9 m.m. and .40 S&W
3.4" fully supported linkless bull barrel
Guide Rod: STI 3.9" RecoilMaster
Overall Length: 7.0"
Width: .765" across steel, 1.06" across grips
Weight: 28.0 oz
IPSC, USPSA, IDPA



BLS9 & BLS40

BLS9 & BLS40
9 m.m. and .40 S&W
3.4" fully supported linkless bull barrel
Guide Rod: STI 3.9" RecoilMaster
Overall Length: 7.0"
Width: .765" across steel, 1.06" across grips
Weight: 30.0 oz.
IPSC, USPSA, IDPA



FPI 2260 RIFLE

FPI 2260 RIFLE
.22 Caliber; fully machined billet receiver; patented trigger group; FPI 2230 low scope mount; FPI 2260 high scope mount (shown on rifle)

STI INTERNATIONAL, INC.
114 Halmar Cove • Georgetown, Texas 78628



Product specifications subject to change without notice.



Firearms at the highest level!

STINGER

Caliber: 9mm, .38 Super
Frame: 4140 steel "2011" style
Grip: Glass filled Nylon Polymer w/aluminum magwell
Slide: 3.9" 4140 steel
Barrel & Comp: T-1 TruBor, 416R Stainless
Trigger: Polymer, long curved
Safeties: Stainless grip and ambi thumb
Guide Rod: RecoilMaster
Sights: OKO or C-more on STI mount
Overall Length: 9.0"
Weight: 38.0 oz.
Finish: Blue IPSC, USPSA

LS9/40

Utilizes new, STI designed, linkless barrel lockup system. All lower and trigger group parts except the mainspring housing and mainspring are "1911" compatible.

Caliber: 9 mm and .40S&W
Frame: Officers Size grip, Steel, STIppld front strap
Grip Panels: Rosewood Thin panels
Slide Features: STI Bullet Style Front and Rear Serrations
Trigger: STI long curved
Barrel: 3.4" STI fully supported, ramped bull barrel w/ linkless lock up
Safeties: Blue STI Grip and Single sided thumb
Guide Rod: STI RecoilMaster
Sights: Slide integral front w/ Heinie Low mount rear
Overall Length: 7.0"
Width: .765" across steel, 1.06" across grips
Weight: 28.0oz
Finish: Flat Blue IPSC, USPSA, IDPA

BLS9/40

Utilizes new, STI designed, linkless barrel lockup system. All lower and trigger group parts are "1911" compatible

Caliber: 9 mm and .40S&W
Frame: Government Size grip, Steel, STIppld front strap
Grip Panels: Rosewood Thin panels
Slide Features: STI Bullet Style Front and Rear Serrations
Trigger: STI long curved
Barrel: 3.4" STI fully supported, ramped bull barrel w/ linkless lock up
Safeties: Blue STI Grip and Single sided thumb
Guide Rod: STI RecoilMaster
Sights: Slide integral front w/ Heinie Low mount rear
Overall Length: 7.0"
Width: .765" across steel, 1.06" across grips
Weight: 30.0oz.
Finish: Flat Blue IPSC, USPSA, IDPA

EAGLE 5"

Caliber: 9 mm, 9X21, .38Super, 10 mm, .40 S&W, .45 ACP
Frame: STI Patented Modular Steel
Grip: STI Patented Modular Polymer
Slide: Classic
Slide Features: STI Rear Serrations
Trigger: STI long curved
Barrel: 5.0", STI fully supported, ramped bull barrel
Safeties: Stainless STI Grip and ambi thumb
Guide Rod: STI one piece steel
Sights: STI Front w/ STI Adjustable Rear
Overall Length: 8-5/8"
5" Weight: 34.5oz. In steel
Finish: Blue IPSC, USPSA, IDPA (w/ bushing)

EAGLE 6"

Caliber: 9 mm, 9X21, .38Super, 10 mm, .40 S&W, .45 ACP
Frame: STI Patented Modular Steel
Grip: STI Patented Modular Polymer
Slide: Classic
Slide Features: STI Rear Serrations
Trigger: STI long curved
Barrel: 6.0" STI fully supported, ramped bull barrel
Safeties: Stainless STI Grip and ambi thumb
Guide Rod: STI two piece steel
Sights: STI Front w/ STI Adjustable Rear
Overall Length: 9-5/8"
6" Weight: 40.0 oz.
Finish: Blue USPSA, PPC

5" TROJAN

Caliber: 9 mm, .38Super, .40 S&W, .45 ACP
Frame: STI Standard Single Stack Steel Government Size, STIppld front strap
Grip: Rosewood Thin Panels
Slide: 5" Classic Flat Top
Slide Features: STI Front & Rear Serrations
Trigger: STI long curved
Barrel: STI fully supported, ramped bushing barrel (.45 is non supported, bushing)
Safeties: STI Blue Grip and single sided thumb
Guide Rod: STI one piece steel
Sights: STI front w/ STI adjustable rear
Overall Length: 8.5"
Weight: 36.0 oz.
Finish: Flat Blue with polished sides
PPC, IPSC, USPSA, IDPA & SSSA w/ bushing barrel

LAWMAN

Caliber: .45 ACP
Frame: 1911 Gov't size, hammer forged 4340 carbon steel
Grip: Checkered Walnut
Slide: 5" roll forged 4140 carbon steel
Trigger: STI aluminum
Barrel: 5" ramped w/ match bushing
Safeties: Series 70 grip and single sided thumb
Guide Rod: 5" full length steel
Sights: Novak "three dot"
Overall Length: 8.65"
Weight: 36.0 oz.
Finish: Polymer, dark brown slide over tan frame
USPSA, IDPA, IPSC

EDGE

Caliber: 9 mm, .40 S&W, .45ACP
Frame: STI Patented Modular Steel, Long Wide
Grip: STI Patented Modular Polymer with Aluminum Mag well
Slide: Unique w/ Front and Rear Serrations
Trigger: Long Curved
Barrel: STI fully supported, ramped bull barrel
Safeties: Stainless STI Grip and Ambi sided thumb
Guide Rod: STI RecoilMaster
Sights: STI Front w/ STI Adjustable Rear
Overall Length: 8-5/8"
Weight: 38.0 oz.
Finish: Blue IPSC, USPSA

TRUBOR

Caliber: 9mm "major", 9X23, .38 Super
Frame: STI Patented Modular Steel
Grip: STI Patented Modular Polymer with Aluminum Mag well
Slide: Classic
Slide Features: STI Front and Rear Serrations
Trigger: STI long curved
Barrel: STI fully supported, ramped ONE PIECE bull barrel, w/ integrated comp. (No threads)
Safeties: STI Stainless Grip and Ambi thumb
Guide Rod: STI one piece steel
Sights: C-More Railway or OK Red Dot Reflex
Overall Length: 10.5"
Weight: approx. 42.5.0 oz. (including scope and mount)
Finish: Blue IPSC, USPSA

GRANDMASTER

Caliber: 9mm "major", 9X23, .38 Super, .45 ACP, .40 S&W
Frame: STI Patented Modular (Steel)
Grip: STI Patented Modular Polymer (Blue) with Stainless Mag well
Slide: Classic
Slide Features: STI Custom Serrations, lightened, Flat Top
Trigger: STI Gunsmith Blank
Barrel: STI fully supported, ramped ONE PIECE bull barrel, w/ integrated comp. (No threads)
Safeties: STI Stainless Grip and Ambi thumb
Guide Rod: STI RecoilMaster
Sights: C-More Railway or OK Red Dot Reflex
Finish: Hard Chrome-Blue Inlay
Overall Length: 10.5" IPSC, USPSA

EXECUTIVE

Caliber: .40 S&W
Frame: STI Patented Modular Steel, Long Wide
Grip: STI Patented Modular Polymer (Gray) with Stainless Mag well
Slide: Unique w/ Front and Rear Serrations
Trigger: Long Curved (Gray)
Barrel: 5" STI fully supported, ramped bull barrel
Safeties: Stainless STI Grip and Ambi sided thumb
Guide Rod: STI RecoilMaster
Sights: Dawson Fiber Optic Front w/ STI Adjustable Rear
Overall Length: 8-5/8"
Weight: 38.0 oz.
Finish: Hard Chrome w/ black inlays IPSC, USPSA

VIP

Caliber: .45 ACP, .40S&W, .38Super, 9X21, 9mm
Frame: STI Patented Modular Aluminum
Grip: STI Patented Modular Polymer (reduced length)
Magazine: Butt Flush Dual stack (120mm)
Slide: 3.9" Classic, Flat Top
Slide Features: STI Rear Serrations
Trigger: STI long curved
Barrel: 3.9" STI fully supported, ramped bull barrel
Safeties: STI Stainless Grip and single sided thumb
Guide Rod: STI Recoil Master
Sights: STI front w/ STI fixed rear
Overall Length: 7.5"
Weight: 25.0 oz.
Finish: Polycoat bake on grey/black IPSC, USPSA, IDPA

SPECIAL EDITION

Caliber: .9mm, .40 S&W, .45 ACP
Frame: STI Patented Steel, Long Wide
Grip: STI Patented Modular Polymer with Magwell
Slide: Unique with Saber Tooth Serrations & Custom Engraving
Barrel: 5" STI fully supported ramped bull barrel
Serial Number: Customer Customized
Safeties: Ambi Thumb and STI Hi-Rise Grip
Guide Rod: STI RecoilMaster
Sights: Dawson Fiber Optic .090 / Adjustable Rear
Overall Length: 8 5/8"
Weight: 38.0 oz.
Finish: 24 Karat Gold on all steel parts, except barrel

IPSC 30th ANNIVERSARY COMMEMORATIVE

Caliber: 9mm, .40 S&W, .45 ACP
Frame: STI Patented Modular Steel, Long Wide, w/Decorative Flutes
Grip: STI Patented Modular Polymer with Stainless Magwell
Slide: Unique with Saber Tooth Serrations & Custom Engraving
Barrel: 5" STI fully supported ramped bull barrel
Serial Number: Customer Customized
Safeties: Ambi Thumb and STI Hi-Rise Grip
Guide Rod: STI RecoilMaster
Sights: Dawson Fiber Optic .090 / Adjustable Rear
Overall Length: 8 5/8"
Weight: 39.0 oz
Finish: Hard Chrome Upper with Color Inlays / Blued Lower

RANGER II

Caliber: .45 ACP
Frame: STI "Government" Single Stack, Capacity: 7+1, STIpped front strap, Hi-rise trigger guard, beveled mag well
Slide: 4.15" 1911 Classic style, Flat topped, STI rear serrations, oversize ejection port, chamfered fore end,
Trigger: STI long curved with Stainless bow
Barrel: STI 4.15" ramped bull barrel
Safeties: STI Hi-rise blue Grip and single sided thumb safeties
Guide Rod: STI 4.15" RecoilMaster
Sights: STI front w/ STI fixed low mount snag free rear
Overall Length: 7.75"
Weight: 30.0 oz.
Finish: Blue IPSC, USPSA

TACTICAL "LITE"

Caliber: 9 mm, .40 S&W, .45 ACP
Frame: STI Patented Modular, Aluminum, Long, w/ "Tactical" rail
Grip: STI Patented Modular Polymer with Aluminum Mag well
Slide: 4.15" or 5.0" Unique w/ Front and Rear on 5" only or 4.15" Rear Serrations only, Flat top
Trigger: Short Curved
Barrel: STI fully supported, ramped bull barrel
Safeties: STI Grip and Ambi sided thumb
Guide Rod: STI RecoilMaster
Sights: STI Front w/ STI Fixed Rear
Overall Length: 7.75" or 8.5"
Weight: 34.5 oz Finish: Black Polycoat IPSC, USPSA

TACTICAL

Caliber: 9 mm, .40 S&W, .45 ACP
Frame: STI Patented Modular Steel, Long, w/ "Tactical" rail,
Grip: STI Patented Modular Polymer with Aluminum Mag well
Slide: 4.15" or 5.0" 4140 Steel, Unique w/ Front (on 5.0" only) and Rear Serrations, Flat top, 4.15" Rear Serrations only
Trigger: Curved
Barrel: STI fully supported, ramped bull barrel
Safeties: Blue STI Grip and Ambi thumb
Guide Rod: STI RecoilMaster
Sights: STI Front w/ STI Fixed Rear
Overall Length: 7.75" or 8.5"
Weight: 39.0 oz. Finish: Flat Blue IPSC, USPSA

RANGEMASTER

Caliber: 9mm, .45 ACP
Frame: STI Single Stack Steel Government Length, full length dust cover, w/ 30 lpi front strap checkering, steel mainspring housing w/ 30 lpi checkering, square trigger guard
Grip: Normal Rosewood Panels
Slide: 5" Unique, Flat top
Slide Features: STI Front & Rear Serrations
Trigger: STI aluminum long curved
Barrel: STI fully supported, ramped bull barrel
Safeties: STI polished Stainless Grip and ambi thumb
Guide Rod: STI RecoilMaster
Sights: STI front w/ STI adjustable rear
Overall Length: 8.5"
Weight: 38.0 oz. Finish: Polished Blue IPSC, USPSA

TARGETMASTER

Caliber: 9mm, .45 ACP
Frame: STI Single Stack Steel Government Length, w/ 30 lpi front strap checkering, steel mainspring housing w/ 30 lpi checkering
Grip: Normal Rosewood Panels
Slide: 6" Classic, Flat top
Slide Features: STI Front & Rear Serrations, enlarged ejection port
Trigger: STI aluminum long curved
Barrel: STI fully supported, ramped barrel
Safeties: STI Stainless Grip and ambi sided thumb
Guide Rod: STI two piece steel
Sights: Aristocrat adjustable
Overall Length: 9.5"
Weight: 40.0 oz. Finish: Polished Blue PPC, USPSA

"DUTY ONE"

Caliber: 9mm, .40S&W, 45 ACP
Frame: STI Single Stack Steel Government Length, full length dust cover, w/ 30 lpi front strap checkering, square trigger guard, "Tactical rail
Grip: Normal Rosewood Panels
Slide: 5" Unique, Flat Top
Slide Features: STI Front & Rear Serrations, enlarged ejection port
Trigger: STI curved
Barrel: STI fully supported, ramped bull barrel
Safeties: STI Blue Grip and ambi thumb
Guide Rod: STI RecoilMaster
Sights: STI front w/ STI fixed rear
Overall Length: 8.5"
Weight: 38.0 oz. Finish: Flat Blue

MODEL 2230/2260 RIFLE

Caliber: .22 Long Rifle
Receiver: Patented Aluminum w/ clean out hole to accept threaded barrel
Trigger Assembly: Patented Adjustable SuperMatch w/ "Quick" Mag release
Finish: Natural Aluminum Team Challenge, Etc.
Mount: Integral Scope Mount
FPI: 2260—High Scope Mount
2230—Low Scope Mount

Product specifications subject to change without notice.



www.stiguns.com
512/819-0656
114 Halmar Cove

info@stiguns.com
Fax 512/819-0465
Georgetown, TX 78628



Firearm Parts at the Highest Level!

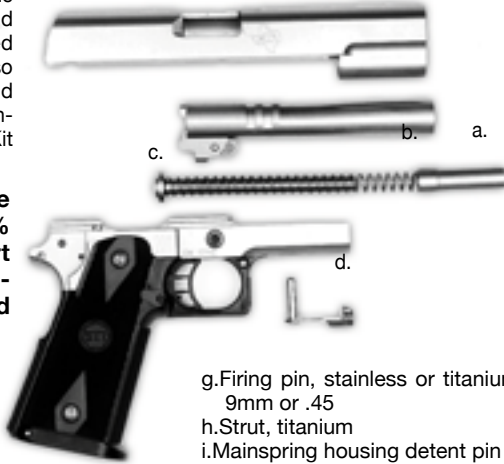
114 Halmar Cove • Georgetown, TX 78628 • 512/819-0656 • Fax 512/819-0465
 www.stiguns.com • info@stiguns.com

All STI parts are CNC and/or EDM machined for consistent yield to unwavering specifications. All STI assemblies are hand fit and finished by skilled and experienced professionals. We unconditionally guarantee our products for their intended purpose when installed properly. As with any product, abuse, modification, and normal wear are excepted.

"SHORT BLOCKS" are available in most of the configurations and options in our "2011" Patented Modular product line. Options also include sight cuts, serrations, and serial numbers. Example is standard frame w/5" Classic slide. Kit is single sided stainless.

Please be aware that the Federal Excise Tax of 10% must be added if "Short Blocks" and "Completion Kits" are purchased together.

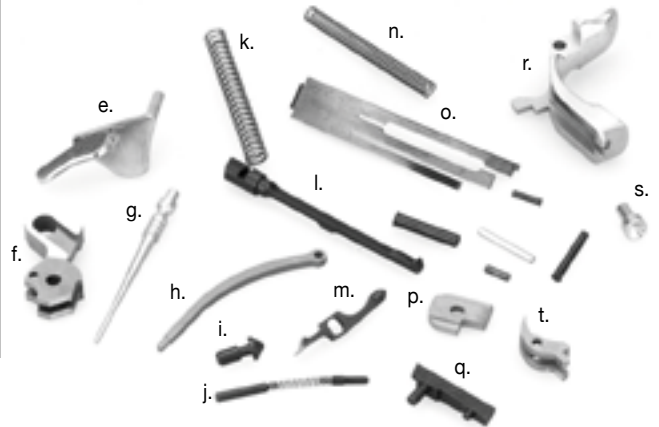
SHORT BLOCK



- a.Reverse plug, 5" or 6"
- b.Recoil Spring
- c.Guide rod, 5" one piece, or 6" two piece
- d.Slide stop w/ .200" pin
- e.Thumb safety, single or Ambi, Blue steel or stainless
- f.Hammer, tool steel, commander, square, spur

- g.Firing pin, stainless or titanium, 9mm or .45
- h.Strut, titanium
- i.Mainspring housing detent pin
- j.Plunger assembly
- k.Mainspring
- l.Extractor, caliber specific
- m.Disconnector
- n.Firing pin spring

SHORT BLOCK COMPLETION KIT



- o.Sear spring
- p.Firing pin stop
- q.Ejector, caliber specific
- r.Grip safety, Blue or Stainless
- s.Mainspring cap, titanium
- t.S-7 SuperMatch Sear

Single Stack 1911 Frames are now available.

"SLIDE TO FRAME FITS" are available in most of the configurations and options of our "2011" Patented Modular product line. CNC Machined, precision ground, perfectly matched, professionally fit! Slide lengths 4.15", 5" and 6". Frame options: Standard, long/wide to match a 5" slide length, and 6" long/wide to match a 6" slide. Also offered in 1911 Single Stack.

The STI 2011® Frame is manufactured from 4140 Maxxell Alloy steel, or 7075 aerospace grade aluminum and is pre-cut for a high ride beavertail configuration as well as being pre-cut for an ambidextrous safety. The grip is a glass filled, nylon polymer. The kit assembly includes an STI patented long trigger and an STI 2011® magazine release. The frames come either non-ramped for standard configuration barrels, or with an STI/Wilson/Nowlin ramp cut for fully supported barrels for an extra charge. It is the same width and depth as the 1911 design, and will accept high capacity magazines for law enforcement or export.

The STI 2011® slide is CNC and EDM machined from 4140 steel or and heat treated to a 40-42 Rockwell hardness. It is available in all popular caliber's and in both the "Classic" and "Unique" configuration. There are currently three (3) lengths in production. The slides are available with the following CNC cuts: STI serrations, flat top and sight cuts for STI, Bomar, and Novak.

The STI bull barrel is made from 416 Rifle Grade Stainless Steel billet forgings. The bore is gun drilled, button rifled, and air gaged to give you the most exacting size, best finish, and most consistent 1 in 16 twist available on the market. The barrels are vacuum heat treated and vacuum tempered to 40Rc, then secondarily machined by C.N.C. machining methods to exacting S.A.M.I. specifications. The chambers are short cut to allow the gunsmith to fit the chamber as required for each caliber.

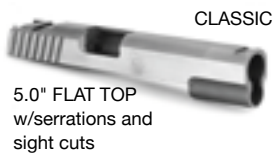
Custom Serial Numbers are available on 2011 frames only.

2011 Frame Kits are 35% lighter than their 1911 counterparts, and come pre-checkered with 30 lpi on the complete frontstrap, and 25 lpi on the trigger guard. The grip panels are completely done in 30 lpi.

"2011®" and "2011-A1®" are Registered Trademarks of STI International under Pat. #'s D-316,393, D-316,394

The "2011®" Frame Assembly is covered by the following patents: U-5,293,708, D-345,022, D-347254, D-347256, D-355125

Because the TruBar has no threaded components, it is .400 inch shorter and 1 1/2 ounces lighter than comparable items. Additionally there can be no "clocking" problems or misalignment of the barrel and compensator bore. It is available in 9mm, .38, .40, .45.



1911 Frame now available. See website for details.



Firearm Parts at the Highest Level!

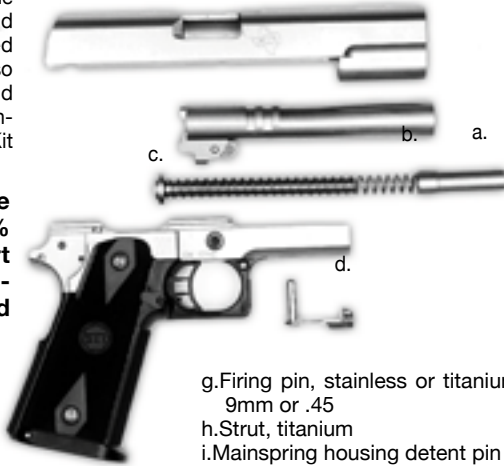
114 Halmar Cove • Georgetown, TX 78628 • 512/819-0656 • Fax 512/819-0465
 www.stiguns.com • info@stiguns.com

All STI parts are CNC and/or EDM machined for consistent yield to unwavering specifications. All STI assemblies are hand fit and finished by skilled and experienced professionals. We unconditionally guarantee our products for their intended purpose when installed properly. As with any product, abuse, modification, and normal wear are excepted.

"SHORT BLOCKS" are available in most of the configurations and options in our "2011" Patented Modular product line. Options also include sight cuts, serrations, and serial numbers. Example is standard frame w/5" Classic slide. Kit is single sided stainless.

Please be aware that the Federal Excise Tax of 10% must be added if "Short Blocks" and "Completion Kits" are purchased together.

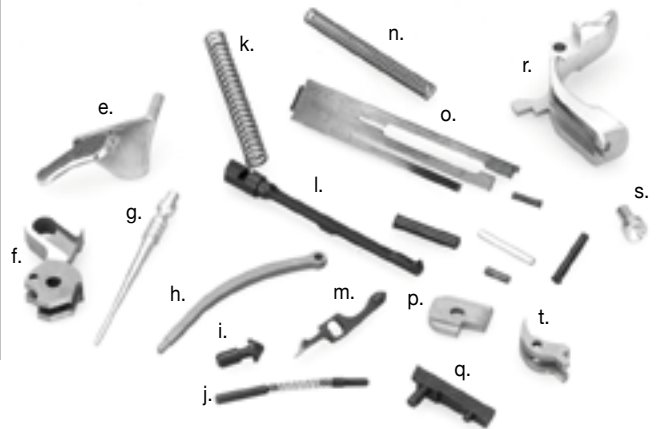
SHORT BLOCK



- a.Reverse plug, 5" or 6"
- b.Recoil Spring
- c.Guide rod, 5" one piece, or 6" two piece
- d.Slide stop w/ .200" pin
- e.Thumb safety, single or Ambi, Blue steel or stainless
- f.Hammer, tool steel, commander, square, spur

- g.Firing pin, stainless or titanium, 9mm or .45
- h.Strut, titanium
- i.Mainspring housing detent pin
- j.Plunger assembly
- k.Mainspring
- l.Extractor, caliber specific
- m.Disconnector
- n.Firing pin spring

SHORT BLOCK COMPLETION KIT



- o.Sear spring
- p.Firing pin stop
- q.Ejector, caliber specific
- r.Grip safety, Blue or Stainless
- s.Mainspring cap, titanium
- t.S-7 SuperMatch Sear

Single Stack 1911 Frames are now available.

"SLIDE TO FRAME FITS" are available in most of the configurations and options of our "2011" Patented Modular product line. CNC Machined, precision ground, perfectly matched, professionally fit! Slide lengths 4.15", 5" and 6". Frame options: Standard, long/wide to match a 5" slide length, and 6" long/wide to match a 6" slide. Also offered in 1911 Single Stack.

The STI 2011® Frame is manufactured from 4140 Maxxell Alloy steel, or 7075 aerospace grade aluminum and is pre-cut for a high ride beavertail configuration as well as being pre-cut for an ambidextrous safety. The grip is a glass filled, nylon polymer. The kit assembly includes an STI patented long trigger and an STI 2011® magazine release. The frames come either non-ramped for standard configuration barrels, or with an STI/Wilson/Nowlin ramp cut for fully supported barrels for an extra charge. It is the same width and depth as the 1911 design, and will accept high capacity magazines for law enforcement or export.

The STI 2011® slide is CNC and EDM machined from 4140 steel or and heat treated to a 40-42 Rockwell hardness. It is available in all popular caliber's and in both the "Classic" and "Unique" configuration. There are currently three (3) lengths in production. The slides are available with the following CNC cuts: STI serrations, flat top and sight cuts for STI, Bomar, and Novak.

The STI bull barrel is made from 416 Rifle Grade Stainless Steel billet forgings. The bore is gun drilled, button rifled, and air gaged to give you the most exacting size, best finish, and most consistent 1 in 16 twist available on the market. The barrels are vacuum heat treated and vacuum tempered to 40Rc, then secondarily machined by C.N.C. machining methods to exacting S.A.M.I. specifications. The chambers are short cut to allow the gunsmith to fit the chamber as required for each caliber.

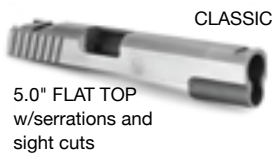
Custom Serial Numbers are available on 2011 frames only.

2011 Frame Kits are 35% lighter than their 1911 counterparts, and come pre-checkered with 30 lpi on the complete frontstrap, and 25 lpi on the trigger guard. The grip panels are completely done in 30 lpi.

"2011®" and "2011-A1®" are Registered Trademarks of STI International under Pat. #'s D-316,393, D-316,394

The "2011®" Frame Assembly is covered by the following patents: U-5,293,708, D-345,022, D-347254, D-347256, D-355125

Because the TruBar has no threaded components, it is .400 inch shorter and 1 1/2 ounces lighter than comparable items. Additionally there can be no "clocking" problems or misalignment of the barrel and compensator bore. It is available in 9mm, .38, .40, .45.



1911 Frame now available. See website for details.